



# BOOM BARRIER





## CURVE ULTRA FAST BOOM BARRIER NS-BS2-P30S1

With lightning-fast opening and closing speed, curve ultra-fast boom barrier has grabbed eyes of many system integrators. It has got a telescopic design with a maximum boom length of 3-4.5 meters. It offers quick opening and closing times of 0.6 to 6 seconds, with a rugged housing made of cold-rolled steel sheet material. It can be controlled remotely from up to 100 meters away.



scan to visit website

### Features

- ▶ Telescopic boom design
- ▶ Maximum 4.5 meter boom length
- ▶ Quick 0.6 to 6-second opening/closing
- ▶ Servo motor with 200W/400W power options
- ▶ IP54 rating for weather resistance
- ▶ High MCBF of 15+ million cycles

### Benefits

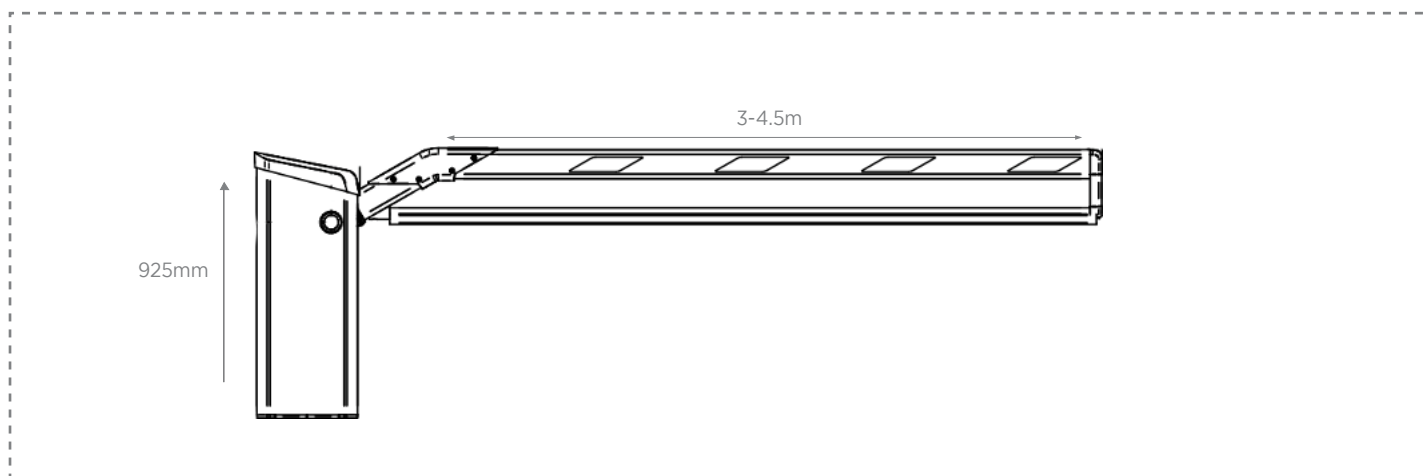
- ▶ Efficient and secure access control
- ▶ Accommodates various boom lengths
- ▶ Fast and reliable operation
- ▶ Durable construction for longevity
- ▶ Powerful motor for smooth performance
- ▶ Suitable for diverse weather conditions

### Technical Specifications

Boom Type (Round / Elliptical / Telescopic)	Telescopic
Boom length	max 4.5m
Opening / Closing	0.6 to 6 Sec

## Technical Specifications

Housing Size / Dimension (In mm)	335*270*925mm
Housing Material (MS / Steel)	cold rolled steel sheet
Motor Type	Servo
Motor Power	200W(0.9S) 400W(0.6S)
Motor RPM	3000r/min
Motor Torque	0.637N.m
IP Rating	54
Input Interface	Relay
Working Temperature	-35~+65
Remote control Distance	100m in open place
MCBF	15+ Million
No. of Springs	4.5m(2pcs), 3m(1pc)
When Power Off how to open Boom	Manual open
Arm Direction Change (Yes / No)	Yes
Housing Colour Options	Orange
Weight	47 KG



**Disclaimer:** Brief product specifications are mentioned, that may change without prior notice, please check with OEM before purchase. Images are shown for reference only; the actual product may differ due to product enhancement.